

Sani-Tech® High Purity Piping



Small foot print and an internal sweep design make it ideal for skid based piping systems, use points, and directional changes in distribution loops.

Superior Flow

Molded SIB® sweep elbows save space without sacrificing flow. The internal sweep design of the Sani-Tech® 90° elbows provides flow characteristics superior to sharp elbows. Sani-Tech® piping and components have inner dimensions based on ASME BPE standards and match stainless steel tube dimensions. This design feature facilitates sanitary transition when connecting to stainless steel components without any obstruction to the flow path.

Simple

Sani-Tech® systems are simple to install, maintain and modify. User friendly fabrication equipment backed by factory direct training and certification ensure a trouble free installation. SIB® (Smooth Inner Bore) technology ensures a smooth inner surface for minimal maintenance. Modifications and additions to a distribution loop can easily be made. Inspection criteria is simple since no borescoping is required.

The Ultimate in High Purity

Sani-Tech® High Purity Piping Systems utilize high performance - high purity materials and highly reliable joining methods. Pipe and components are available in natural virgin polypropylene and PVDF materials. These materials eliminate maintenance issues associated with stainless steel, such as rouge and passivation. Sani-Tech® connective technologies include SIB® (Smooth Inner Bore) *High Speed Beadless Fusion* and sanitary ferrules for mechanical connections. Both of these proven joining methods provide a smooth BPE compliant flow path free from entrapment areas and flow restrictions.

BIOPHARMACEUTICAL PRODUCTS

Short Radius SIB® Sweep 90° Elbows

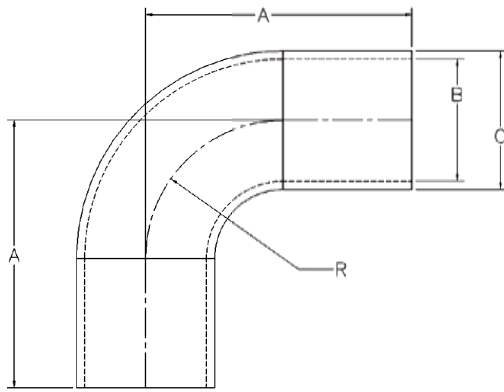
Features/Benefits

- Sweep elbows for Easy SIB® *High Speed Beadless Fusion*. Efficient flow with minimal pressure drop.
- SIB® Fusion: The Fastest Beadless Fusion Method.
- SIB® smooth inner bore *High Speed Beadless Fusion* eliminates entrapment areas reducing the risk of biofilm formation and flow restrictions.
- Dimensions based on ASME BPE standard. Sized to match Stainless Steel tube dimensions. No dimensional changes when mating up to stainless components.
- Broad chemical resistance. Corrosion free, easy to sanitize.
- Made in the USA. Local design, support & manufacturing.
- Available in PP & PVDF.
- Laser Etched - complete lot traceability (optional).
- Fast, simple to use fabrication equipment.
- Imparts no metals and very low overall extractables

Typical Application

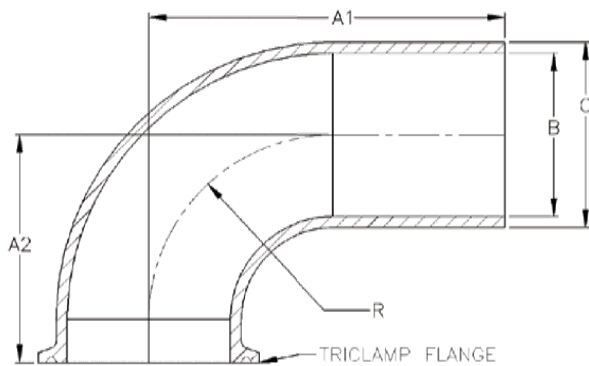
- USP Water distribution
- WFI distribution
- Lab: RO/DI water distribution
- Dialysis water
- Bio-Pharmaceutical processes
- Metal sensitive product transfer
- Corrosive product transfer
- Food & Beverage

Short Radius SIB® 90° Elbow



Size	Material	Part #	A	B	C	R
1 1/2"	Sani-Pro®K PVDF	SKM90-150-N	3.49"	1.36"	1.61"	1.56"
1 1/2"	Sani-Pro®T PP	STM90-150-N	3.49"	1.36"	1.61"	1.56"
2"	Sani-Pro®K PVDF	SKM90-200-N	4.06"	1.86"	2.11"	2.10"
2"	Sani-Pro®T PP	STM90-200-N	4.06"	1.86"	2.11"	2.10"

Short Radius SIB® 90° Elbow (SIB® x Tri-Clamp)



Size	Material	Part #	A1	A2	B	C	R
1 1/2"	Sani-Pro®K PVDF	SKM90-150-NT	3.49"	2.02"	1.36"	1.61"	1.56"
1 1/2"	Sani-Pro®T PP	STM90-150-NT	3.49"	2.02"	1.36"	1.61"	1.56"
2"	Sani-Pro®K PVDF	SKM90-200-NT	4.06"	2.59"	1.86"	2.11"	2.10"
2"	Sani-Pro®T PP	STM90-200-NT	4.06"	2.59"	1.86"	2.11"	2.10"

BIOPHARMACEUTICAL PRODUCTS

Come through clean.™

Saint-Gobain Performance Plastics

460 Milltown Road
Bridgewater, NJ 08807
Tel: (800) 435-3992
Tel: (908) 218-8888
Fax: (908) 218-8888



IMPORTANT: It is the user's responsibility to ensure the suitability and safety of Saint-Gobain Performance Plastics tubing for all intended uses. Laboratory and clinical tests must be conducted in accordance with applicable regulatory requirements in order to determine the safety and effectiveness for use of tubing in any particular application.

For a period of 6 months from the date of first sale, Saint-Gobain Performance Plastics Corporation warrants this product to be free from defects in materials and workmanship. Our only obligation will be to replace any portion proving defective, or at our option, to refund the purchase price thereof. User assumes all other risk, if any, including the risk of injury, loss or damage, direct or consequential, arising out of the use, misuse, or inability to use, this product. THIS WARRANTY IS IN LIEU OF THE WARRANTIES OF MERCHANTABILITY, FITNESS FOR PARTICULAR PURPOSE, AND ALL OTHER WARRANTIES, EXPRESSED OR IMPLIED. No deviation is authorized.

Saint-Gobain Performance Plastics Corporation assumes no obligations or liability for any advice furnished by it, or for results obtained with respect to those products. All such advice is given and accepted at the buyer's risk.

Sani-Pro® K PVDF

- USP Class VI
- FDA CFR 177.2510
- USDA
- 3A
- NSF 61
- Outstanding surface finish
- Operating temperature:
 - up to 175°F (80°C)
- Sanitization methods:
 - Ozone
 - Hot water
 - Chemical
 - UV

Sani-Pro® T PP

- USP Class VI
- FDA CFR 177.2510
- Operating temperature:
 - up to 125°F (52°C)
- Sanitization method:
 - Chemical

**SANI-PRO® PIPING
IS NOT INTENDED
FOR USE AS AN
IMPLANT MATERIAL.**

Sani-Tech®, Sani-Pro® and SIB® are registered trademarks.

